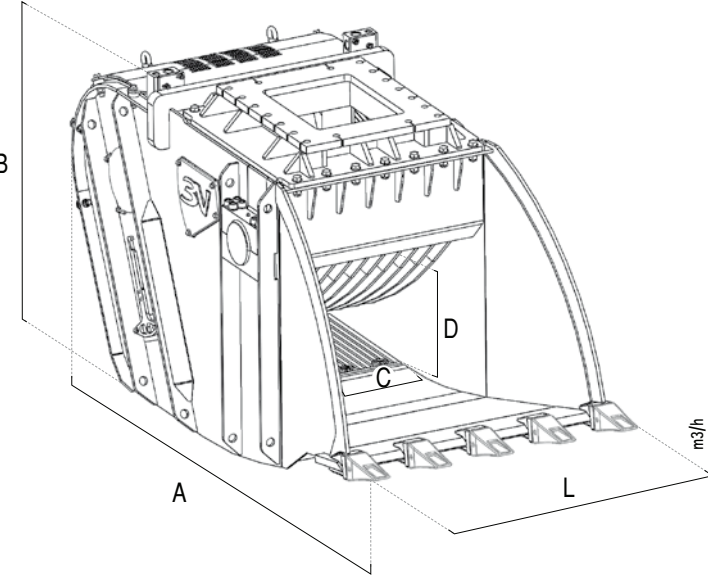
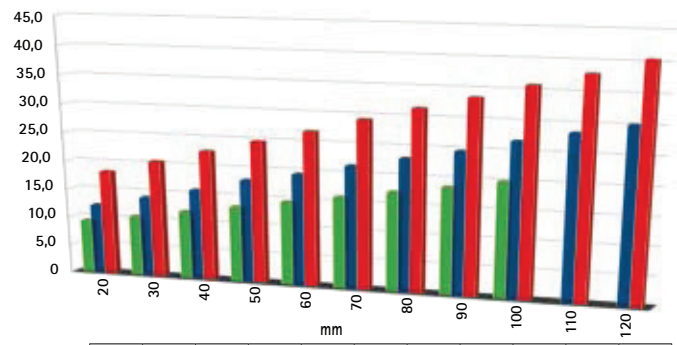


CRUSHING BUCKET BM Series

...conceived to crush the material coming from demolitions and from building restorations, to reclaim waste from storing centres and to process waste from quarry extractions, the crushing buckets allows recycling and reutilising the finished product directly in the construction yard...



Production of average toughness material



	20	30	40	50	60	70	80	90	100	110	120
■ BM 15	9,3	10,5	11,9	13,2	14,6	15,9	17,3	18,6	20,0		
■ BM 25	12,2	14,0	15,8	18,0	19,5	21,4	23,1	24,7	26,8	28,5	30,2
■ BM 35	18,3	20,5	22,7	24,8	26,9	29,3	31,5	33,6	35,9	38,0	40,5

		BM 15	BM 25	BM 35
Excavator Weight	lbs	26,460 : 44,100	39,690 : 55,125	55,125 : 99,200
Weight	lbs	3,300	5,500	7,700
A	inches	80,7	96,5	108,2
B	inches	46,5	50,8	55,5
L	inches	32,7	38,2	46,1
C	inches	23,6	29,5	35,4
D	inches	17,7	21,6	25,6
Cap. SAE	cy	0,65	0,8	1,2
Working pressure	psi	2,900	3,200	3,200
Oil flow	g/min.	40	48	48
Size setting	inches	0,8 / 3,9	0,8 / 4,7	0,8 / 4,7

