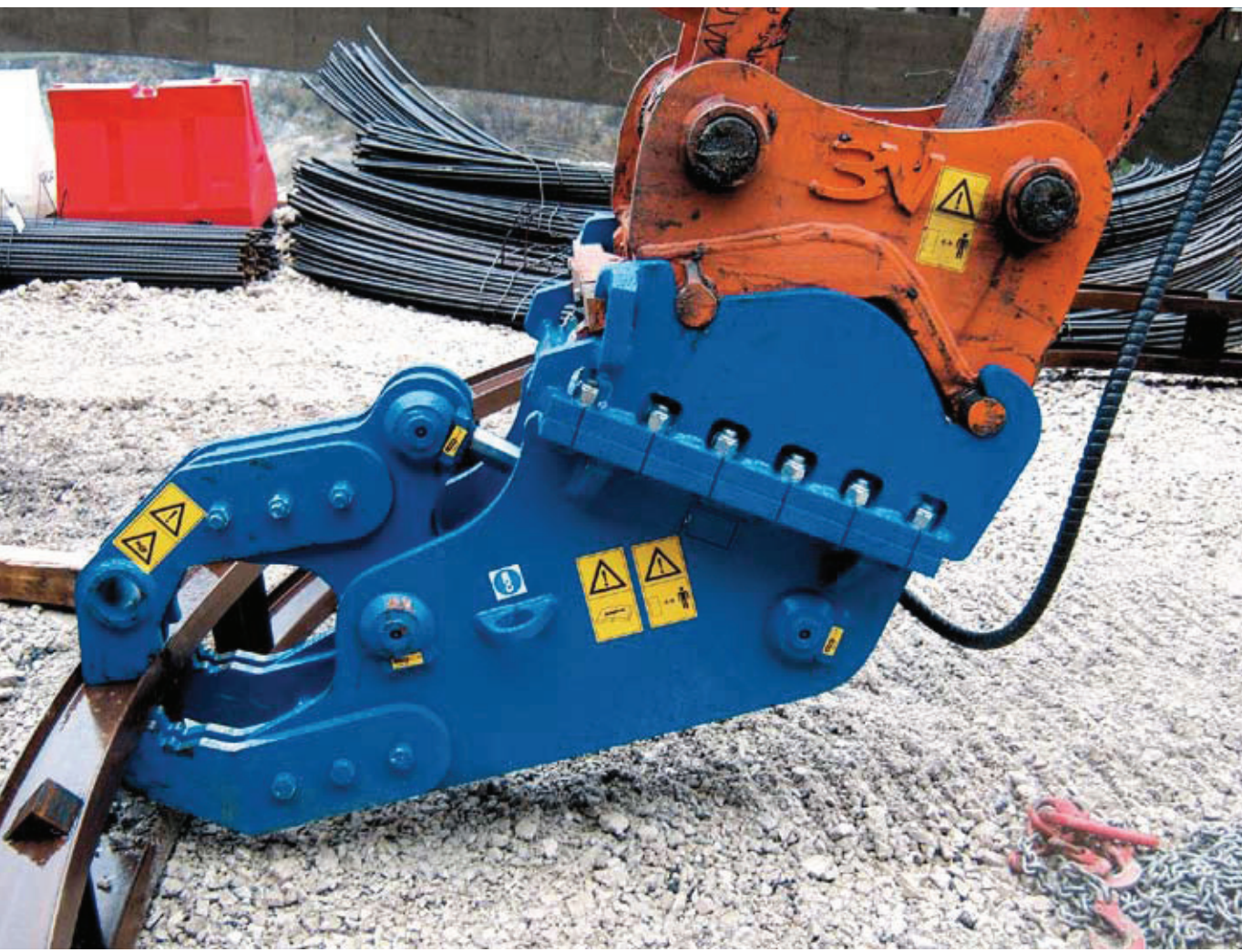
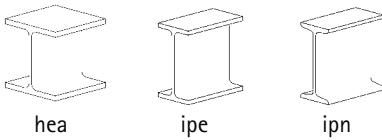
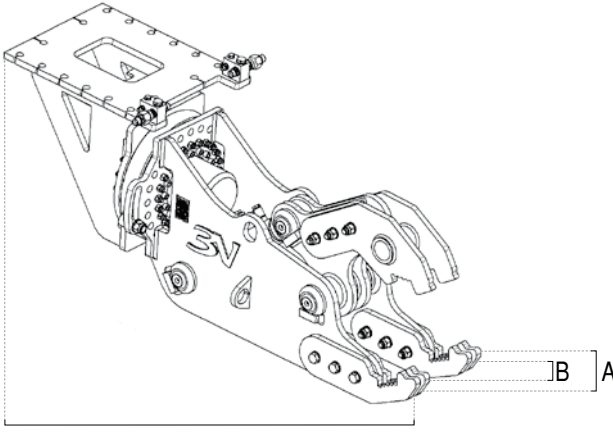


RIB POSITIONING CLAMP

PC Series

...equipment created for positioning the ribs that will constitute the support arcades of tunnels. They are custom-built according to the characteristics, the dimensions and the thicknesses of the rib or the I-beam to be lifted, respecting the customer's parameters and indications...



		PC 02	PC 03*
Excavator Weight	lbs	33,075 : 110,250	33,075 : 110,250
Weight	lbs	1,433 ~	2,535 ~
L	inches	59 ~	79 ~
A	inches	14	14
B	inches	6	6
Working pressure	psi	3,600	3,600
Oil flow	g/min.	11 / 21	11 / 21
Rotation	psi / g/min.	/	2,000 / 6

(*) 270° rotation model provided